

Bearing selection

Products Series

AISI 440C

AISI 304

AISI 630

Pure Titanium

Ceramic

Heat Resistance

Grease Free

Low Torque

Solid Grease

Set Screw

Alignment Function

Flange Unit

Guide Wheel

6800  
6900

SS5200  
5200

5800

Customization

Examples of Use

# SS5200 and 5200 Series Double Row Angular Contact Bearings



High-load environment



General

5200 series double-row angular contact ball bearings, designed to sustain axial load in both directions.



## Product Specifications

Standard Specifications		
	SS5200 series	5200 series
Inner and Outer Rings	AISI 440C	SAE 52100
Balls* <sup>1</sup>	AISI 440C	SAE 52100
Retainer	AISI 304	S55C
Shield	AISI 304	SECC
Seal* <sup>2</sup>	Nitrile rubber	Nitrile rubber
Lubricant* <sup>3</sup>	Heat-resistant grease	Lithium grease
ISO Tolerance Class	Normal	Normal
Contact Angle	30°	30°

The following special specifications are also available.

- \*1 Ceramic balls (Silicon Nitride Si<sub>3</sub>N<sub>4</sub>)
- \*2 Fluorine rubber seals
- \*3 Food-grade grease, and other special greases

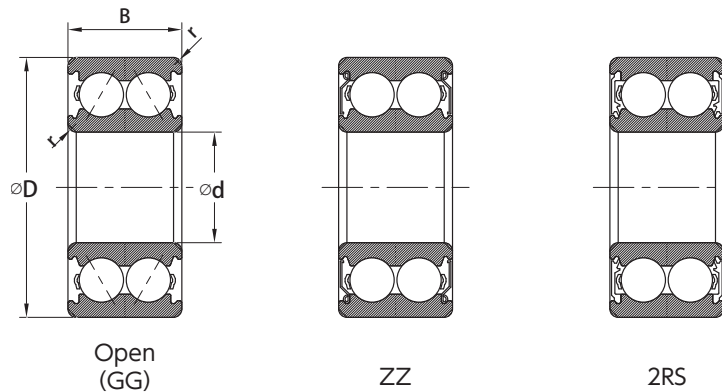
## Composition of bearing number

**SS 5200 2RS**

1      2      3

- 1 Blank : Material SAE 52100  
SS : Material AISI 440C
- 2 Basic number
- 3 Blank : Open (AISI 440C)  
GG\* : Open with seal groove (SAE 52100)  
ZZ : Double steel plate shields  
2RS : Double contact rubber seals

\*Open type with SAE 52100 has a code "GG" after bearing number.



Open (GG)

ZZ

2RS

## Table of Dimensions

Bearing Numbers		d	D	B	r min.	Basic Load Ratings		Limiting Speed (min <sup>-1</sup> )			Mass
						C <sub>r</sub>	C <sub>or</sub>	Grease		Oil	
AISI 440C	SAE 52100	mm	mm	mm	mm	N	N	Open-ZZ	2RS	Open	g
SS 5200	5200	10	30	14.3	0.6	6950	3800	15000	15000	20000	51
SS 5201	5201	12	32	15.9	0.6	9150	5050	14000	14000	18000	60
SS 5202	5202	15	35	15.9	0.6	10000	6050	12000	12000	16000	68
SS 5203	5203	17	40	17.5	0.6	12800	7900	11000	11000	14000	98
SS 5204	5204	20	47	20.6	1.0	19000	12100	9000	9000	12000	159
SS 5205	5205	25	52	20.6	1.0	20600	14300	7700	7700	10000	183
SS 5206	5206	30	62	23.8	1.0	24400	17600	6500	6500	8600	300
—	5207	35	72	27.0	1.1	33000	24500	5600	5600	7500	459
—	5208	40	80	30.2	1.1	42700	32400	5000	5000	6700	618

Bearing selection

Products Series

AISI 440C

AISI 304

AISI 630

Pure Titanium

Ceramic

Heat Resistance

Grease Free

Low Torque

Solid Grease

Set Screw

Alignment Function

Flange Unit

Guide Wheel

6800  
6900

SS5200  
5200

5800

Customization

Examples of Use