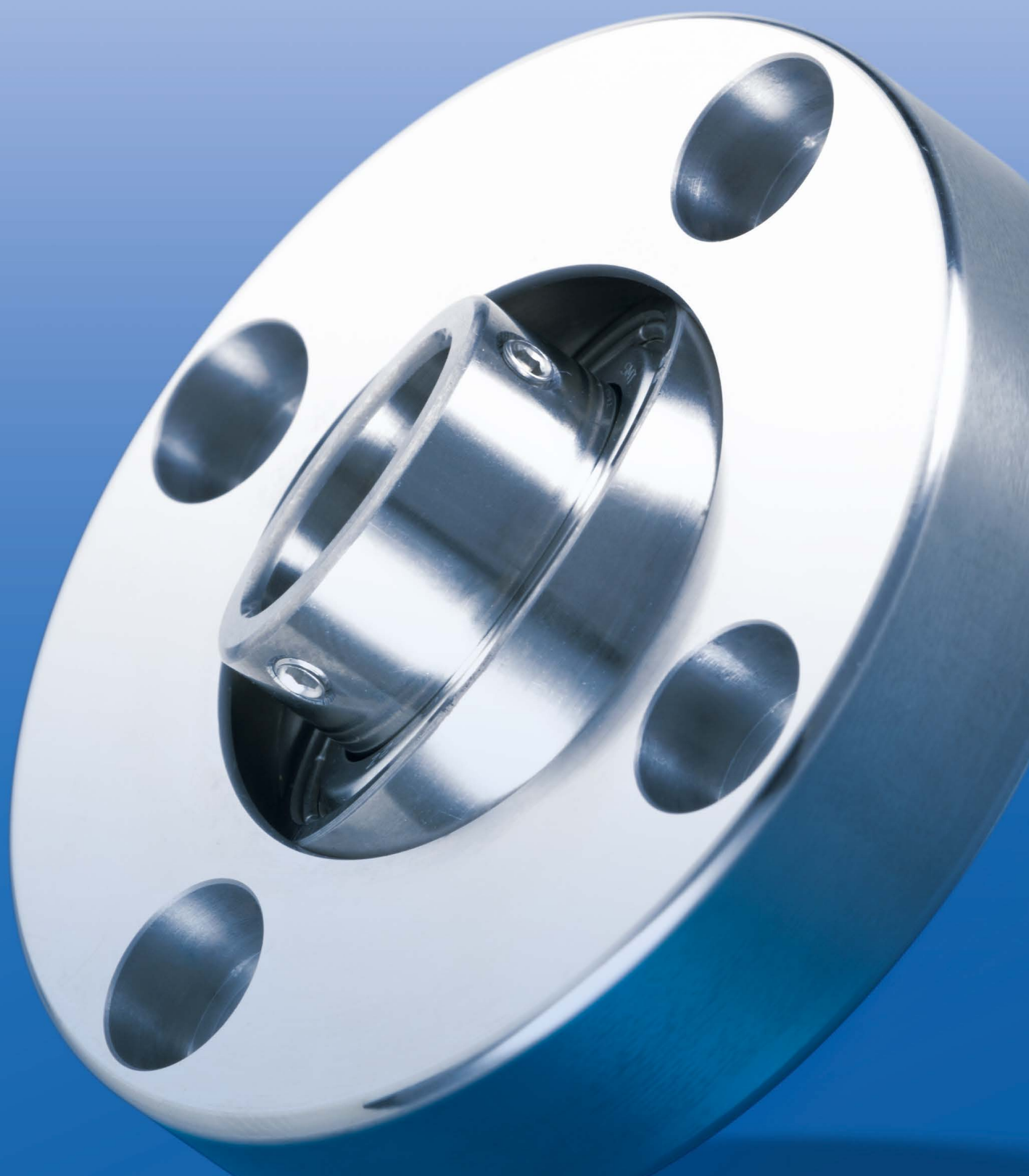


SMT

SF series
AISI440C
Flanged Bearing Units



SMT

SSA type with aligning ring
SSXCA type with aligning ring and set screw
SSXC type with set screw



SMT SF series are high-precision flanged bearing units made with single low deep groove stainless bearing and stainless bearing housing, that can be fixed directly to machine and equipment easily with four bolts.

SMT bearing units can contribute significantly to cost reduction by simplified facility design and improved work efficiency.

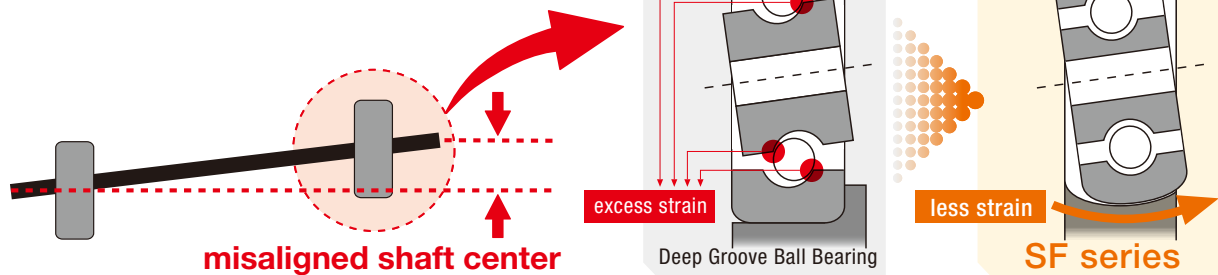
Features

1. Corrosion Resistance

Both bearing and housing made of AISI440C stainless steel are superior for corrosion resistance and clean environment, therefore suitable for use in food machinery, equipment in clean room, chemical processing machine, cleaning equipment, and equipment that should look beautiful.

2. Aligning Function (SSA and SSXCA types)

Aligning function can reduce the stress on the bearing by the error of shaft center and by the flexure of the shaft.



3. Fit

The adequate fit is maintained between the bearing and the housing because no difference occurs in the amount of expansion and contraction by using AISI440C stainless steel for both components.

4. Mounting

Best used for the applications that require precise positioning by the precision finishing. As for SSCXA and SSXC types, shaft can be easily fastened with set screws.

Specifications

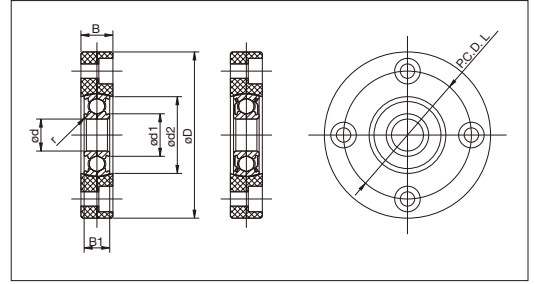
SSA type with aligning function

OPEN, ZZ and 2RS
Example: SS A6000 2RS SFA



Specifications			
Bearing	SSA type Spherical O.D.	Rings	AISI440C
		Balls	AISI440C
		Cage	AISI304
		Shields	AISI304
		Seals	NBR
Housing		AISI440C	
Lubrication		Heat-resistant grease	

Special specifications also available upon request.



Bearing number	d	B1	D	B	L	d1	d2	r	Bolt size	Cr	Cor
	mm	mm	mm	mm	mm	mm	mm	mm	-	N	N
SS A6000 SFA	10	8	52	10	40	13.31	24.39	0.3	M4	4600	1970
SS A6200 SFA	10	9	55	10	43	16.01	28.61	0.6	M4	5100	2390
SS A6001 SFA	12	8	55	10	43	16.01	26.51	0.3	M4	5100	2390
SS A6201 SFA	12	10	58	12	45.5	16.75	30.05	0.6	M5	6800	3050
SS A6002 SFA	15	9	58	12	45.5	19.01	30.05	0.3	M5	5600	2840
SS A6202 SFA	15	11	68	12.5	52	20.25	33.06	0.6	M5	7650	3750
SS A6003 SFA	17	10	68	12.5	52	21.51	33.06	0.3	M5	6000	3250
SS A6203 SFA	17	12	72	14	57	22.25	37.93	0.6	M6	9600	4800
SS A6004 SFA	20	12	72	14	57	25.11	40.03	0.6	M6	9400	5050
SS A6204 SFA	20	14	80	15.5	64	26.99	44.80	1.0	M6	12800	6650
SS A6005 SFA	25	12	80	15.5	64	30.12	44.80	0.6	M6	10100	5850
SS A6205 SFA	25	15	95	17	76	32.84	49.69	1.0	M8	14000	7900
SS A6006 SFA	30	13	95	17	76	35.91	52.71	1.0	M8	13200	8300
SS A6206 SFA	30	16	105	18.5	86	38.54	59.67	1.0	M8	19500	11300

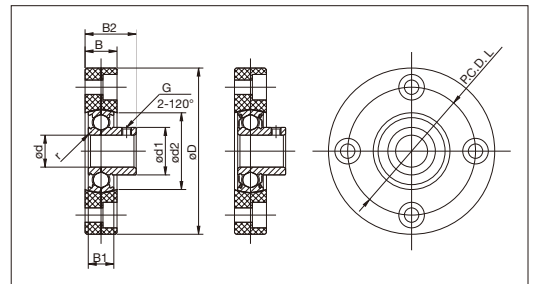
SSXCA type with aligning function and set screw

OPEN and ZZ
Example: SS XCA6000 ZZ SFA



Specifications			
Bearing	SSXCA type Spherical O.D. with set screw	Rings	AISI440C
		Balls	AISI440C
		Cage	AISI304
		Shields	AISI304
		Set screws	AISI304 equivalent
Housing		AISI440C	
Lubrication		Heat-resistant grease	

Special specifications also available upon request.



Bearing number	d		B1	B2	G	D	B	L	d1	d2	r	Bolt size	Cr	Cor
	mm	Tolerance	mm	mm	-	mm	mm	mm	mm	mm	mm	-	N	N
SS XCA6000 SFA	10	+0.015 0	8	16	M3	52	10	40	14.86	24.39	0.3	M4	4600	1970
SS XCA6200 SFA	10		9	17.5	M4	55	10	43	17.45	28.61	0.6	M4	5100	2390
SS XCA6001 SFA	12		8	16	M3	55	10	43	17.45	26.51	0.3	M4	5100	2390
SS XCA6201 SFA	12		10	20	M4	58	12	45.5	18.19	30.05	0.6	M5	6800	3050
SS XCA6002 SFA	15		9	18	M3	58	12	45.5	20.45	30.05	0.3	M5	5600	2840
SS XCA6202 SFA	15		11	20.75	M4	68	12.5	52	21.69	33.06	0.6	M5	7650	3750
SS XCA6003 SFA	17	10	18.75	M4	68	12.5	52	22.95	33.06	0.3	M5	6000	3250	
SS XCA6203 SFA	17	12	22	M5	72	14	57	24.68	37.93	0.6	M6	9600	4800	
SS XCA6004 SFA	20	12	22	M5	72	14	57	27.44	40.03	0.6	M6	9400	5050	
SS XCA6204 SFA	20	14	23.75	M5	80	15.5	64	29.22	44.80	1.0	M6	12800	6650	
SS XCA6005 SFA	25	+0.018 0	12	23.75	M5	80	15.5	64	32.04	44.80	0.6	M6	10100	5850
SS XCA6205 SFA	25		15	27	M5	95	17	76	33.92	49.69	1.0	M8	14000	7900
SS XCA6006 SFA	30		13	26.5	M5	95	17	76	37.93	52.71	1.0	M8	13200	8300
SS XCA6206 SFA	30		16	29.75	M6	105	18.5	86	40.60	59.67	1.0	M8	19500	11300

Bearing can be dismounted from housing. Location of set screw can be reversed.

Specifications

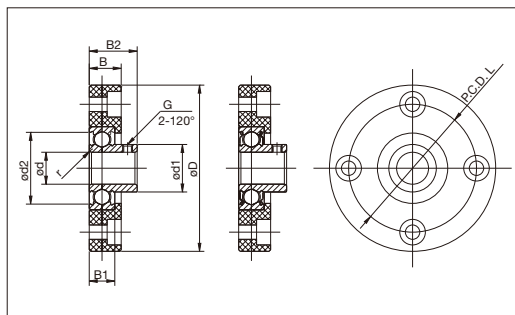
SSXC type with set screw

OPEN and ZZ
Example: SS XC000 ZZ SF



Specifications			
Bearing	SSXC type Cylindrical O.D. with set screw	Rings	AISI440C
		Balls	AISI440C
		Cage	AISI304
		Shields	AISI304
		Set screws	AISI304 equivalent
Housing		AISI440C	
Lubrication		Heat-resistant grease	

Special specifications also available upon request.



Bearing number	d		B1	B2	G	D	B	L	d1	d2	r	Bolt size	Cr	Cor
	mm	Tolerance												
SS XC000 SF	10	+0.015 0	8	15	M3	52	10	40	14.86	22.00	0.3	M4	4600	1970
SS XC200 SF	10		9	17	M4	55	10	43	17.45	24.00	0.6	M4	5100	2390
SS XC001 SF	12		8	15	M3	55	10	43	17.45	24.00	0.3	M4	5100	2390
SS XC201 SF	12		10	19	M4	58	12	45.5	18.19	27.00	0.6	M5	6800	3050
SS XC002 SF	15		9	16.5	M3	58	12	45.5	20.45	27.00	0.3	M5	5600	2840
SS XC202 SF	15		11	20	M4	68	12.5	52	21.69	30.00	0.6	M5	7650	3750
SS XC003 SF	17	+0.018 0	10	17.5	M4	68	12.5	52	22.95	30.00	0.3	M5	6000	3250
SS XC203 SF	17		12	21	M5	72	14	57	24.68	35.00	0.6	M6	9600	4800
SS XC004 SF	20		12	21	M5	72	14	57	27.44	35.00	0.6	M6	9400	5050
SS XC204 SF	20		14	23	M5	80	15.5	64	29.22	41.00	1.0	M6	12800	6650
SS XC005 SF	25		12	22	M5	80	15.5	64	32.04	41.00	0.6	M6	10100	5850
SS XC205 SF	25		15	26	M5	95	17	76	33.92	46.00	1.0	M8	14000	7900
SS XC006 SF	30	+0.018 0	13	24.5	M5	95	17	76	37.93	46.00	1.0	M8	13200	8300
SS XC206 SF	30		16	28.5	M6	105	18.5	86	40.60	54.00	1.0	M8	19500	11300

Bearing can be dismounted from housing. Location of set screw can be reversed.

Precautions

Please refer to the charts for the tightening torque.

Too much torque may damage the bearing.

Adhesive bond is not recommended that may increase the tightening force and result in the breakage of bearing.

•Set screw recommended torque

Sizes	Torque N·m
M3	0.7
M4	1.8
M5	3.0
M6	4.0

•Mounting bolt recommended torque

Sizes	Torque N·m
M4	1.8
M5	3.0
M6	4.0
M8	8.5

Performance data and values are for reference only.

They are not guaranteed and are subject to change without notice.

SMT

Nankai Seiko Co., Ltd.

3-6-1, Techno Stage, Izumi, Osaka 594-1144, Japan.

TEL 0725-53-5563 FAX 0725-53-5576

URL <http://www.smtbearing.com>