

SG Series Solid Grease Bearings

Bearing selection

Products Series

AISI 440C

AISI 304

AISI 630

Pure Titanium

Ceramic

Heat Resistance

Grease Free

Low Torque

Solid Grease

Set Screw

Alignment Function

Flange Unit

Guide Wheel

6800
6900

SS5200
5200

5800

Customization

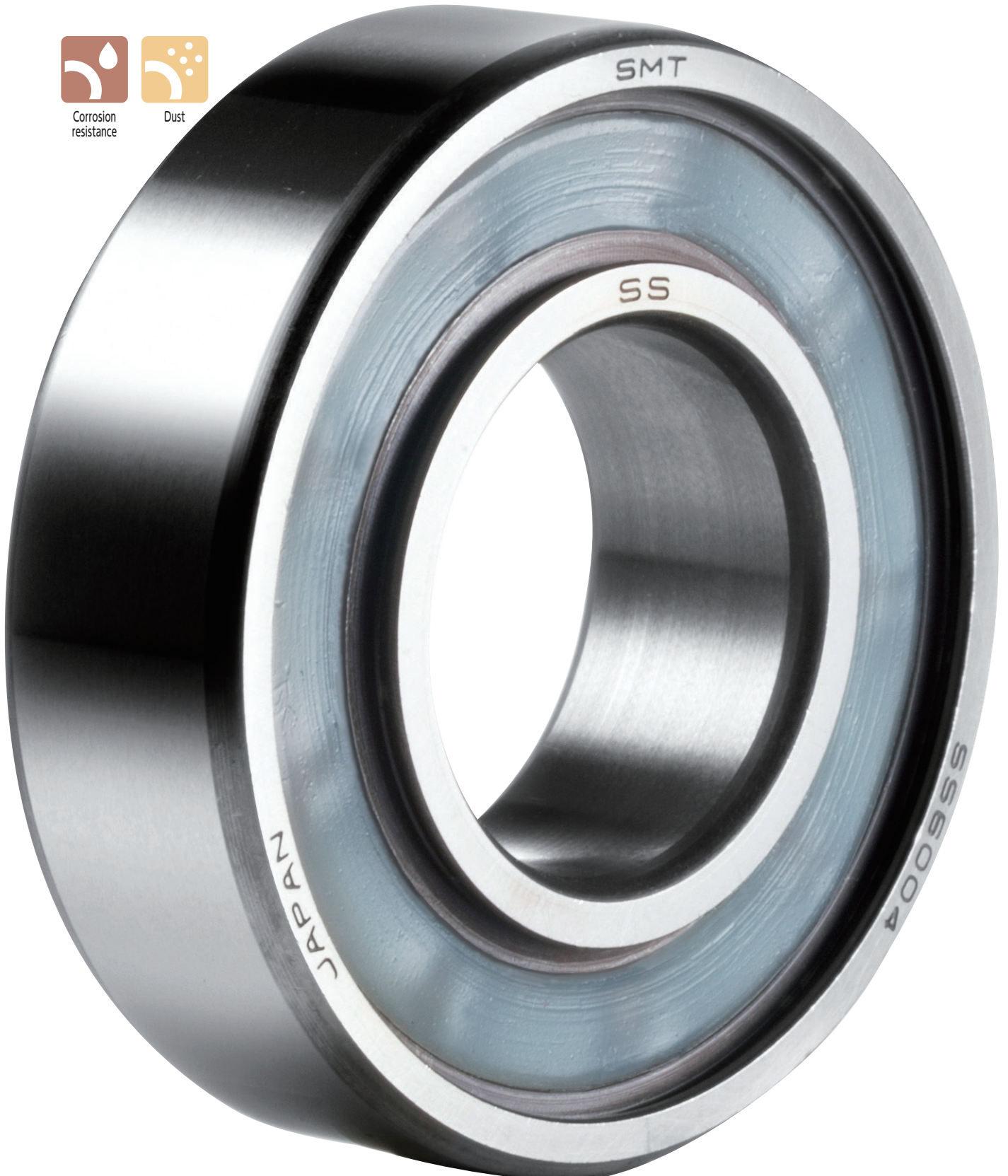
Examples of Use



Corrosion resistance



Dust



By fully packing the inside space of the bearings with solid grease, dust is less likely to enter, resulting in a longer bearing life.

Features

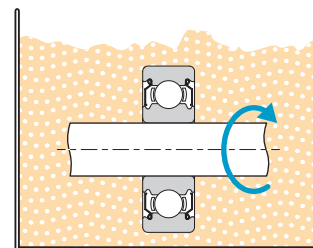
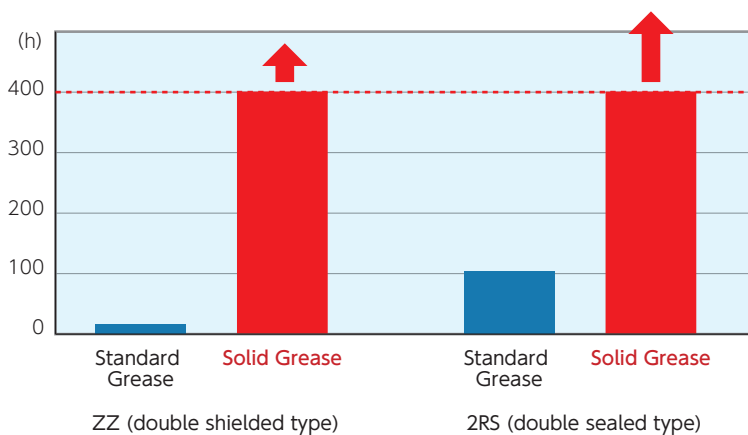
1. Solid grease is retained inside the bearing even in wet or humid environments.
2. Solid grease contains NSF H1-certified food machine grease and FDA-compliant resin.
3. The operating temperature is from -20°C to 80°C/ -4°F to 176°F.

Product Specifications

Standard Specifications	
Inner and Outer Rings	AISI 440C
Balls	AISI 440C
Retainer	AISI 304
Shield	AISI 304
Seal	Nitrile rubber
Lubricant	Solid grease

Performance

Durability in dusty environments



◎Test conditions

Bearing : SS 6004
 Temperature : room temperature
 Radial load : 1000N
 Rotating speed : 500min⁻¹
 Powder particle size : about 0.02mm

*The test finished in 400 hours without any problems.

The above performance values are our company test results and are not guaranteed.

Applications

Powder equipment , food machinery, cleaning equipment, agitators, textile machinery, papermaking machinery

Precautions

- A load of at least 5% of the limiting radial load in the dimension chart is required to rotate the balls without slipping.

Bearing selection

Products Series

AISI 440C

AISI 304

AISI 630

Pure Titanium

Ceramic

Heat Resistance

Grease Free

Low Torque

Solid Grease

Set Screw

Alignment Function

Flange Unit

Guide Wheel

6800

6900

SS5200

5200

5800

Customization

Examples of Use

Composition of bearing number

SS 6200 2RS SG1

1 2 3 4

1 SS : Material AISI 440C

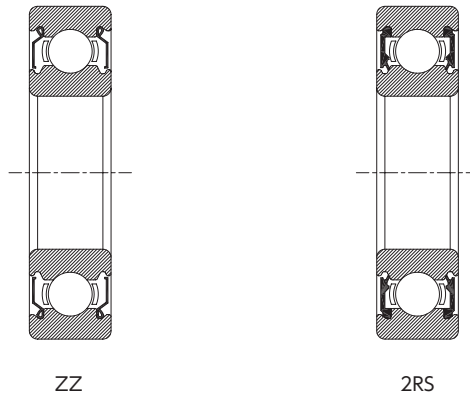
2 Basic number

3 ZZ : Double steel plate shields
2RS : Double contact rubber seals

4 SG1 : Solid grease

Table of Dimensions

Bearing Numbers	d	D	B	r min.	Limiting Radial Load	Limiting Speed	Mass
	mm	mm	mm	mm	N	min ⁻¹	g
SS 6800 SG1	10	19	5	0.3	450	5310	5
SS 6900 SG1	10	22	6	0.3	570	4840	9
SS 6000 SG1	10	26	8	0.3	975	4370	18
SS 6200 SG1	10	30	9	0.6	1085	3750	31
SS 6300 SG1	10	35	11	0.6	1720	3430	52
SS 6801 SG1	12	21	5	0.3	405	4680	6
SS 6901 SG1	12	24	6	0.3	615	4370	10
SS 6001 SG1	12	28	8	0.3	1085	3750	20
SS 6201 SG1	12	32	10	0.6	1445	3590	36
SS 6301 SG1	12	37	12	1.0	2060	3120	59
SS 6802 SG1	15	24	5	0.3	440	4060	7
SS 6902 SG1	15	28	7	0.3	915	3590	16
SS 6002 SG1	15	32	9	0.3	1190	3280	30
SS 6202 SG1	15	35	11	0.6	1625	3120	45
SS 6302 SG1	15	42	13	1.0	2425	2650	81
SS 6803 SG1	17	26	5	0.3	560	3590	7
SS 6903 SG1	17	30	7	0.3	975	3280	17
SS 6003 SG1	17	35	10	0.3	1275	2960	39
SS 6203 SG1	17	40	12	0.6	2040	2650	63
SS 6303 SG1	17	47	14	1.0	2890	2340	110
SS 6804 SG1	20	32	7	0.3	850	3120	17
SS 6904 SG1	20	37	9	0.3	1360	2810	36
SS 6004 SG1	20	42	12	0.6	2000	2500	65
SS 6204 SG1	20	47	14	1.0	2720	2180	101
SS 6304 SG1	20	52	15	1.1	3380	2180	142
SS 6805 SG1	25	37	7	0.3	915	2500	21
SS 6905 SG1	25	42	9	0.3	1485	2300	42
SS 6005 SG1	25	47	12	0.6	2145	2180	77
SS 6205 SG1	25	52	15	1.0	2975	2030	127
SS 6305 SG1	25	62	17	1.1	4380	1710	225
SS 6806 SG1	30	42	7	0.3	965	2180	24
SS 6906 SG1	30	47	9	0.3	1540	2030	49
SS 6006 SG1	30	55	13	1.0	2805	1870	114
SS 6206 SG1	30	62	16	1.0	4145	1710	192
SS 6306 SG1	30	72	19	1.1	5680	1500	342
SS 6807 SG1	35	47	7	0.3	1010	1870	27
SS 6907 SG1	35	55	10	0.6	2210	1710	74
SS 6007 SG1	35	62	14	1.0	3400	1560	148
SS 6207 SG1	35	72	17	1.1	5465	1430	276
SS 6307 SG1	35	80	21	1.5	7085	1340	446



Bearing selection

Products Series

AISI 440C

AISI 304

AISI 630

Pure Titanium

Ceramic

Heat Resistance

Grease Free

Low Torque

Solid Grease

Set Screw

Alignment Function

Flange Unit

Guide Wheel

6800 6900

SS5200 5200

5800

Customization

Examples of Use

Bearing Numbers	d	D	B	r min.	Limiting Radial Load	Limiting Speed	Mass
	mm	mm	mm	mm	N	min ⁻¹	g
SS 6808 SG1	40	52	7	0.3	1050	1710	30
SS 6908 SG1	40	62	12	0.6	2915	1530	109
SS 6008 SG1	40	68	15	1.0	3570	1430	186
SS 6208 SG1	40	80	18	1.1	6190	1290	364
SS 6308 SG1	40	90	23	1.5	8660	1200	616
SS 6909 SG1	45	68	12	0.6	3000	1390	128
SS 6009 SG1	45	75	16	1.0	4465	1290	237
SS 6209 SG1	45	85	19	1.1	6955	1200	401
SS 6309 SG1	45	100	25	1.5	11275	1060	811
SS 6910 SG1	50	72	12	0.6	3085	1280	130
SS 6010 SG1	50	80	16	1.0	4635	1180	254
SS 6210 SG1	50	90	20	1.1	7465	1100	452
SS 6310 SG1	50	110	27	2.0	13190	950	1044
SS 6911 SG1	55	80	13	1.0	3530	1150	184
SS 6011 SG1	55	90	18	1.1	6020	1070	376
SS 6211 SG1	55	100	21	1.5	9230	980	584
SS 6311 SG1	55	120	29	2.0	15230	870	1336
SS 6912 SG1	60	85	13	1.0	4295	1060	192
SS 6012 SG1	60	95	18	1.1	6255	1010	405
SS 6212 SG1	60	110	22	1.5	11145	900	764
SS 6312 SG1	60	130	31	2.1	17400	810	1676
SS 6913 SG1	65	90	13	1.0	3700	1010	209
SS 6013 SG1	65	100	18	1.1	6485	950	428
SS 6213 SG1	65	120	23	1.5	12170	840	975
SS 6914 SG1	70	100	16	1.0	5040	920	334
SS 6014 SG1	70	110	20	1.1	8085	870	596
SS 6214 SG1	70	125	24	1.5	13230	790	1049
SS 6915 SG1	75	105	16	1.0	5170	870	351
SS 6015 SG1	75	115	20	1.1	8400	820	622
SS 6916 SG1	80	110	16	1.0	5315	820	369
SS 6016 SG1	80	125	22	1.1	10145	760	833

* Limiting radial load is estimated to have a total rotation speed of 1 million revolutions.